



Secure I/O

Secure door control and I/O expansion

Installation Guide (ver 1.0)



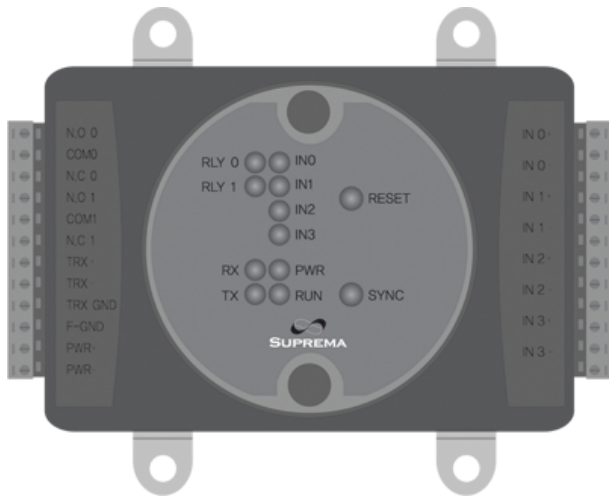
www.supremainc.com

Contents

Product Contents	3
Front Panel Description	4
Rear Panel Description	5
Connectors for External Interfaces	6
Installation Example	8
Product Dimension	9
Power Connection	10
RS-485 Connection	11
Relay Connection	12
RTE Switch Connection	14
Fire Alarm Connection	15
System Specifications	16

Product Contents

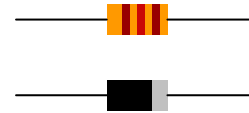
- **Basic Contents**



Secure I/O

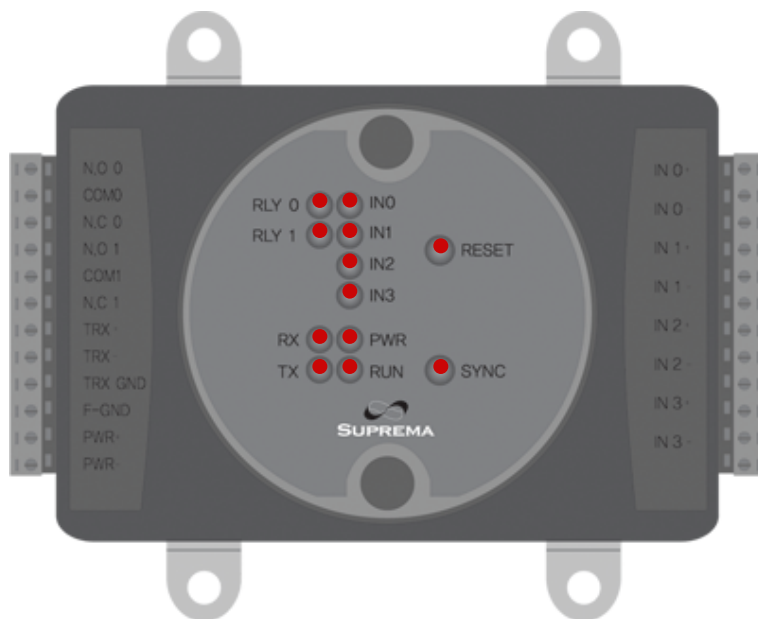


Wall mounting screws



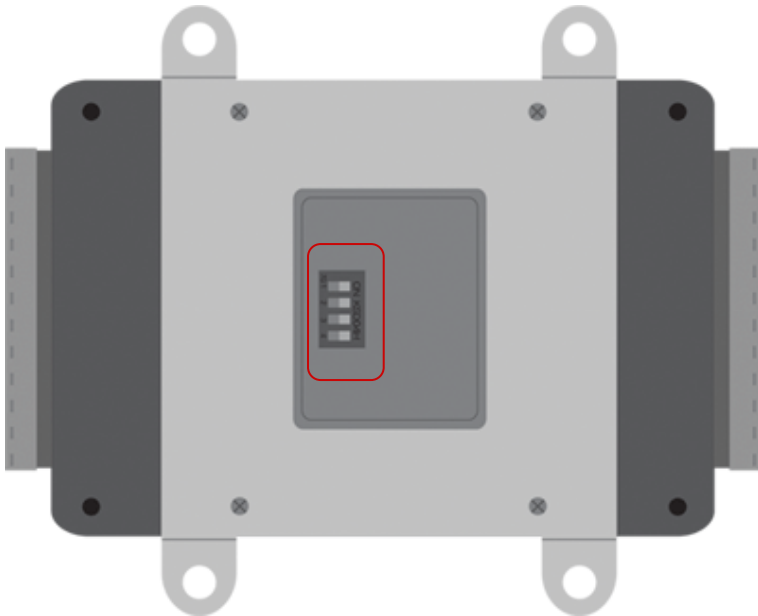
120 Ohm Resistor & Diode

Front Panel Description



- RLY0 LED - Status of Relay0
- RLY1 LED - Status of Relay1
- RX LED - Status of RS-485 Rx signal
- TX LED - Status of RS-485 Tx signal
- IN0 LED - Status of Input0
- IN1 LED - Status of Input1
- IN2 LED - Status of Input2
- IN3 LED - Status of Input3
- PWR LED - Power status
- RUN LED - Status of Secure I/O operation
- RESET BUTTON - Secure I/O hardware reset
- SYNC BUTTON - Synchronization between Secure I/O and device (BioStation/ BioEntry Plus) for security by exchanging an encrypted keys. This prevents the operation of Secure I/O when the external device has been exchanged by an intruder. Sync button should be pressed when a device is set as a host in a RS-485 loop.

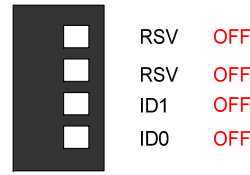
Rear Panel Description



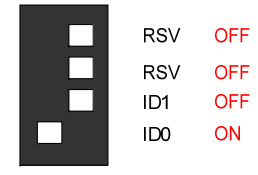
- ID0 / ID1 - Dip switch to set an ID of Secure I/O
Since max number of Secure I/O in an RS-485 loop is four, the ID of Secure I/O should be set among 0, 1, 2, 3.

- RSV - reserved for future use

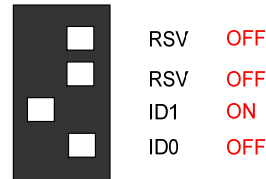
- Secure I/O ID setting



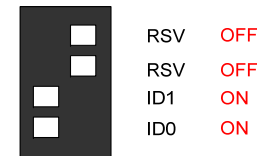
ID = 0



ID = 1



ID = 2



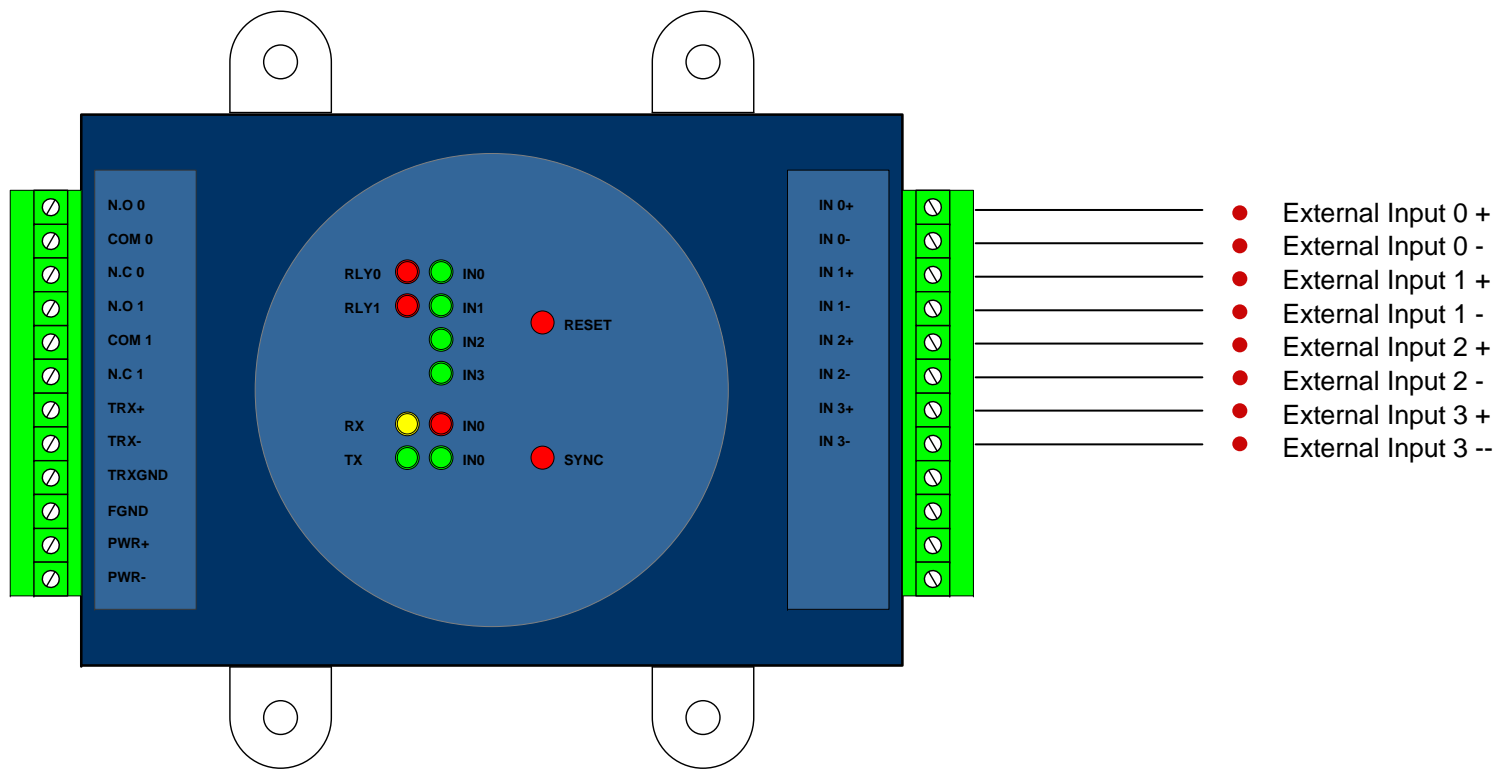
ID = 3

Connectors for External Interfaces 1

- Relay Output0 Normal Open
- Relay Output0 Common
- Relay Output0 Normal Close
- Relay Output1 Normal Open
- Relay Output1 Common
- Relay Output1 Normal Close
- RS-485 TRX+
- RS-485 TRX-
- RS-485 Ground
- Frame Ground
- Power Input+
- Power Input -

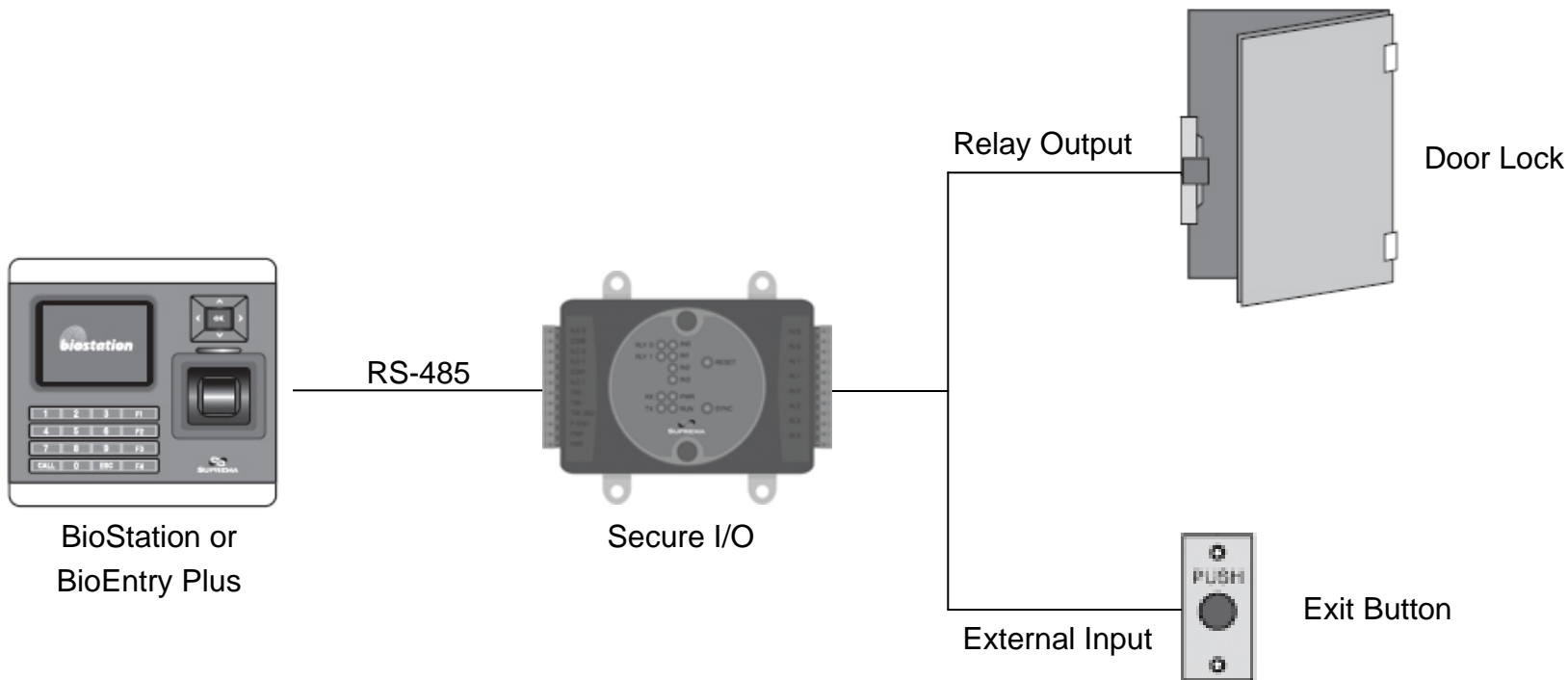


Connectors for External Interfaces 2

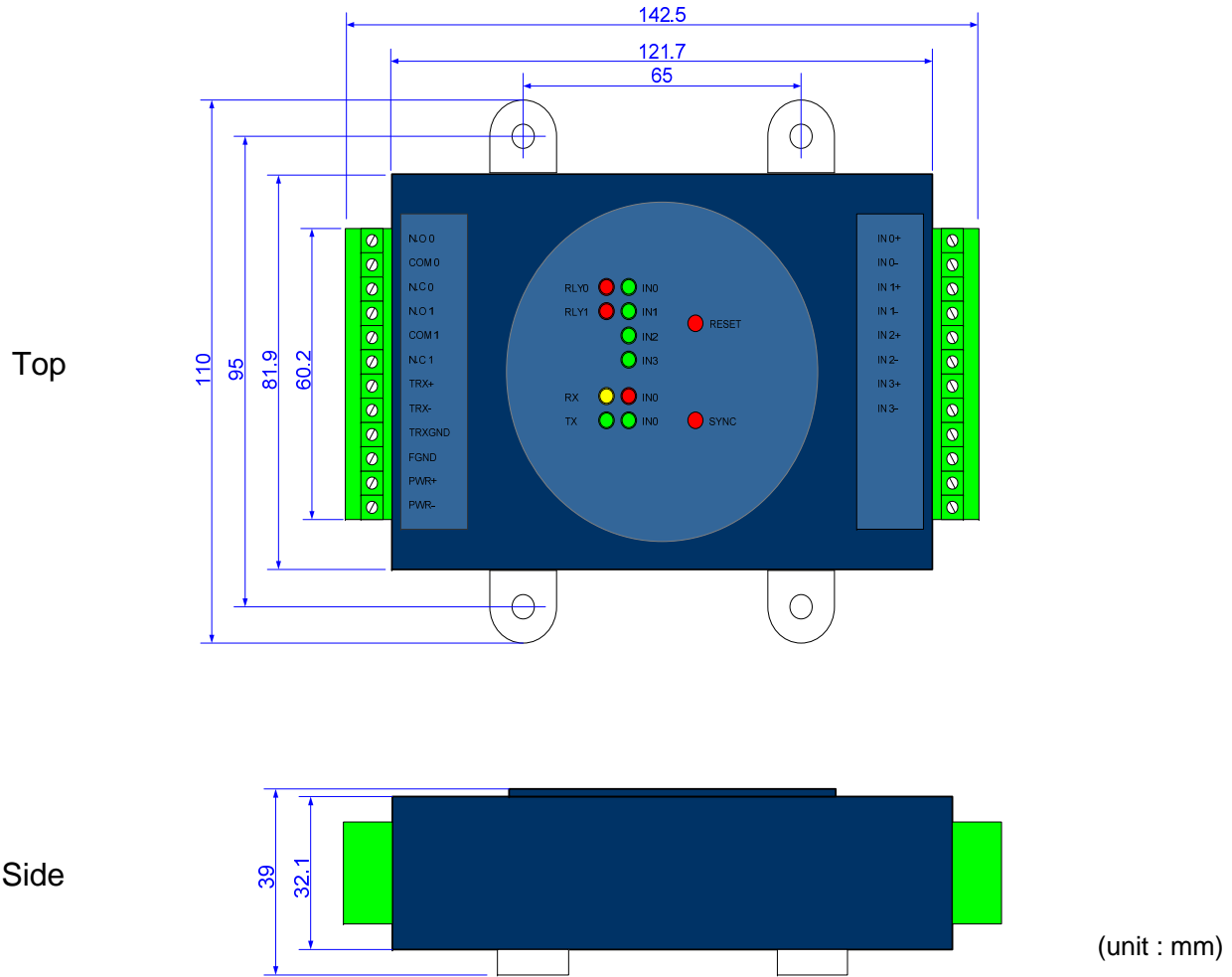


- External Input 0 +
- External Input 0 -
- External Input 1 +
- External Input 1 -
- External Input 2 +
- External Input 2 -
- External Input 3 +
- External Input 3 -

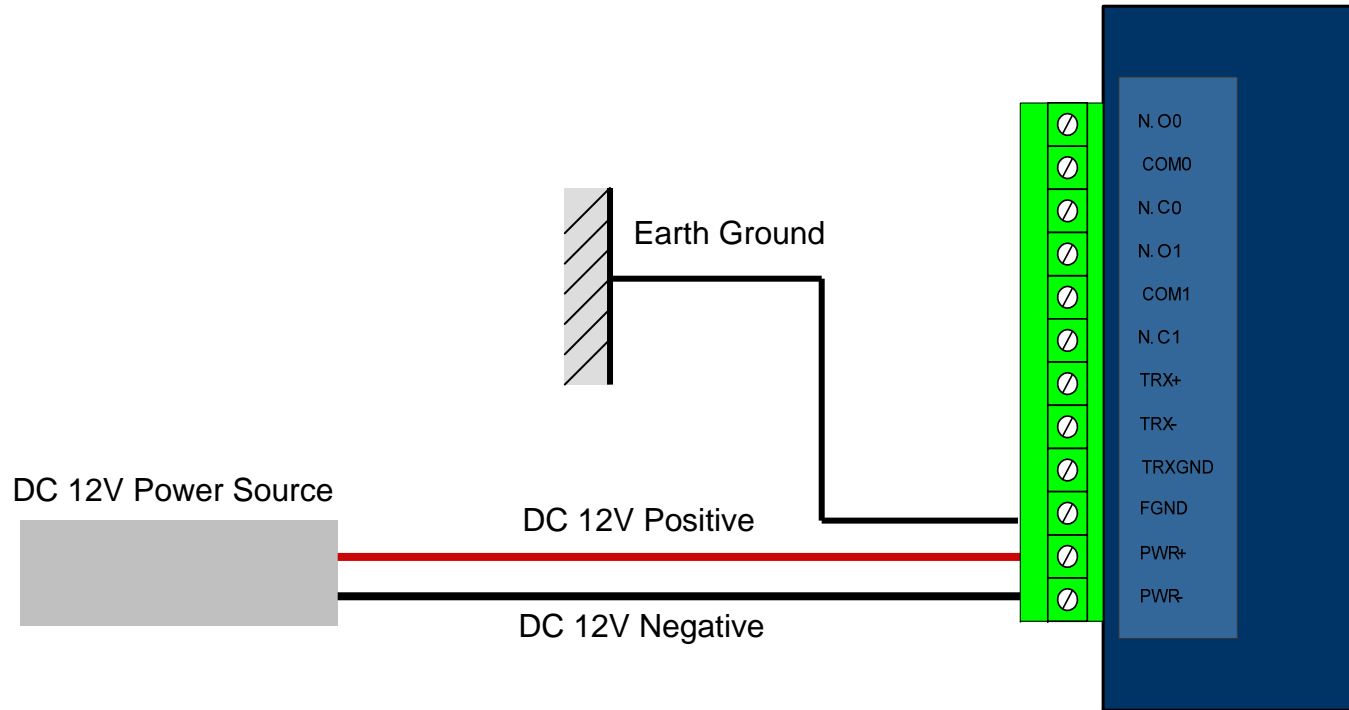
Installation Example



Product Dimension



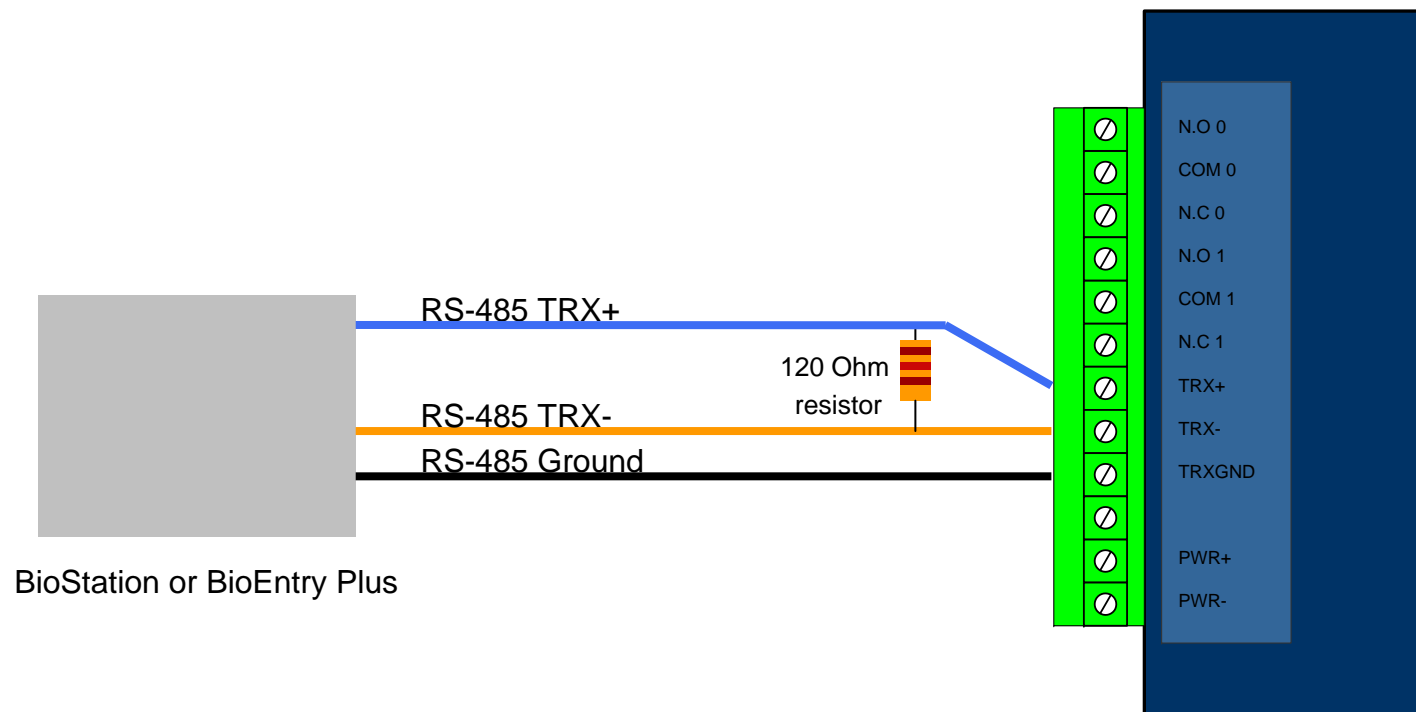
Power Connection



Recommended power supply

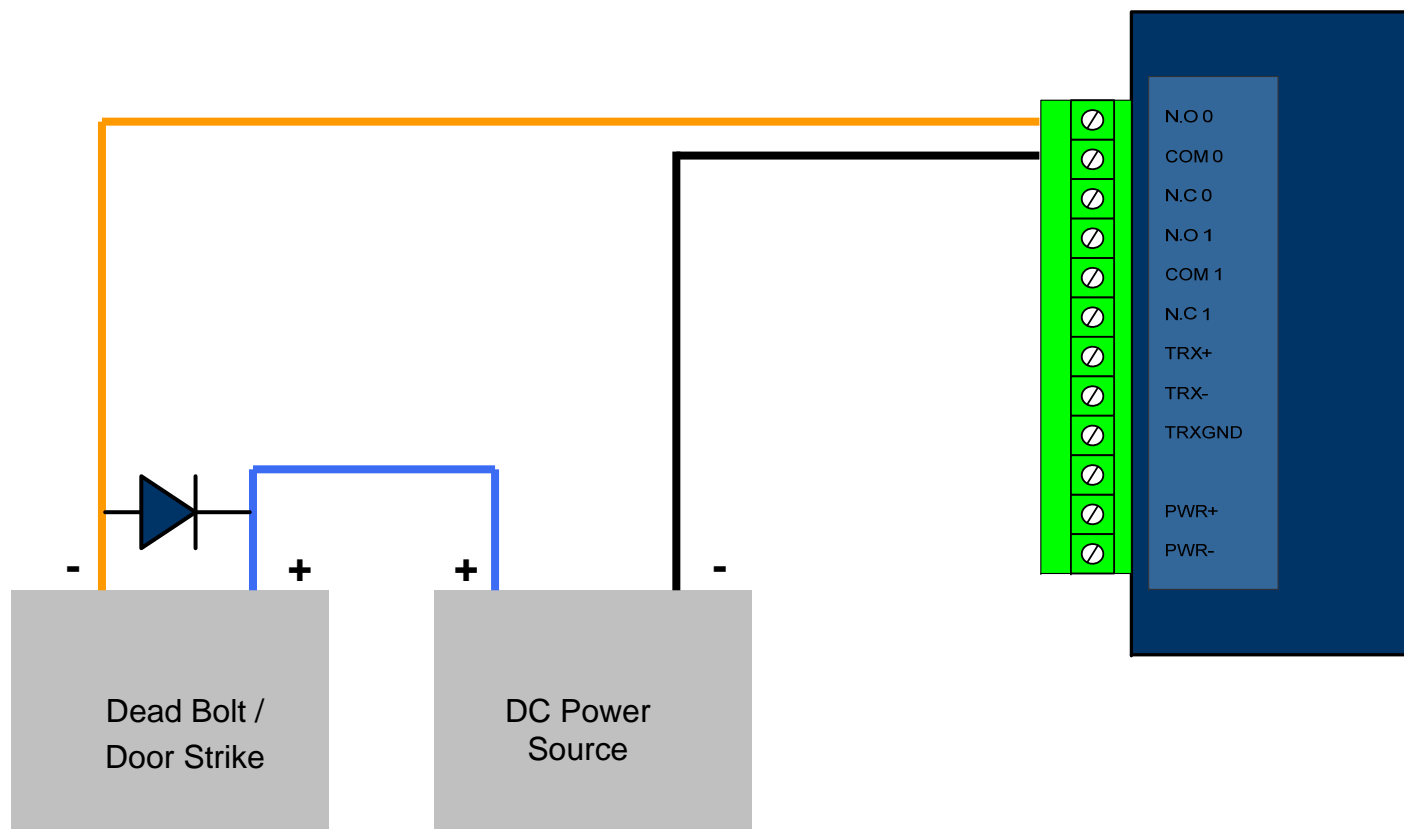
- 12V \pm 10%, at least 500mA for Secure IO alone installation.
- Comply with standard IEC/EN 60950-1
- To share the power with other devices, use a power supply with higher current ratings.

RS-485 Connection



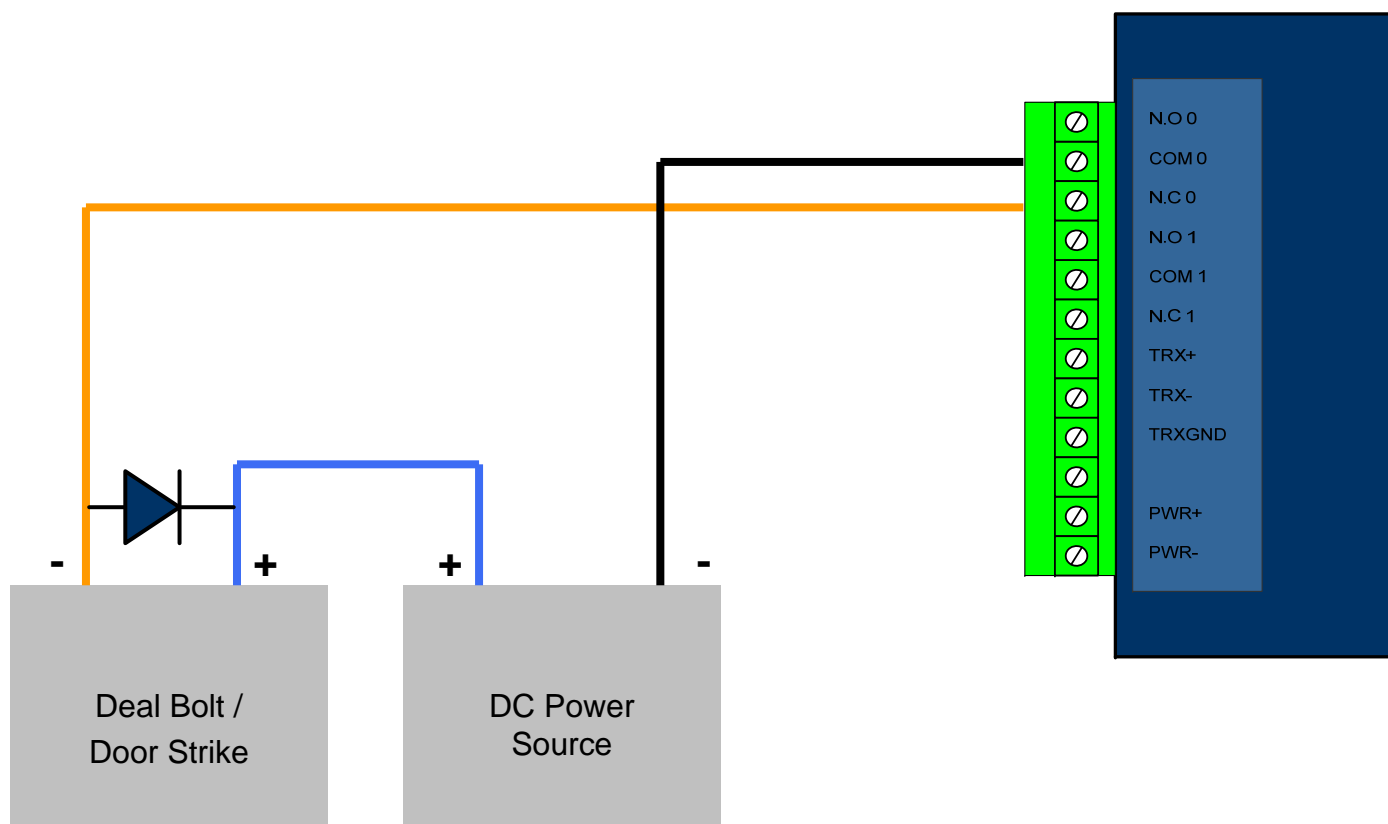
- In case the length of RS-485 line is so long to affect communication stability, connect the enclosed 120 Ohm resistor between TRX+ and TRX- connector of Secure I/O

Relay Connection – Fail Secure Lock



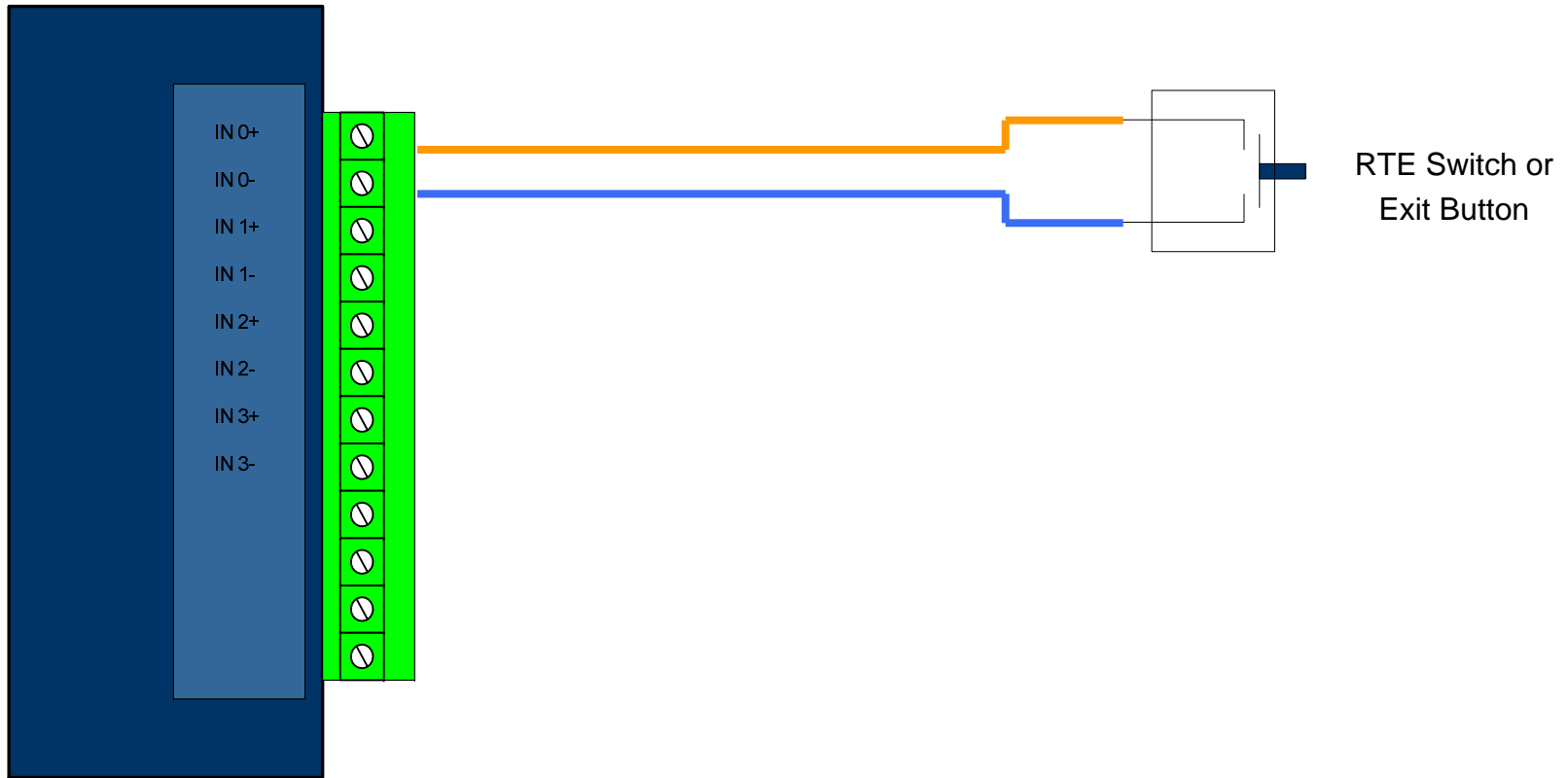
- **When using dead bolt or door strike, connect an enclosed diode as in the above diagram. Anode (line mark) of the diode should be connected to + power (Be careful of the direction)**

Relay Connection – Fail Safe Lock

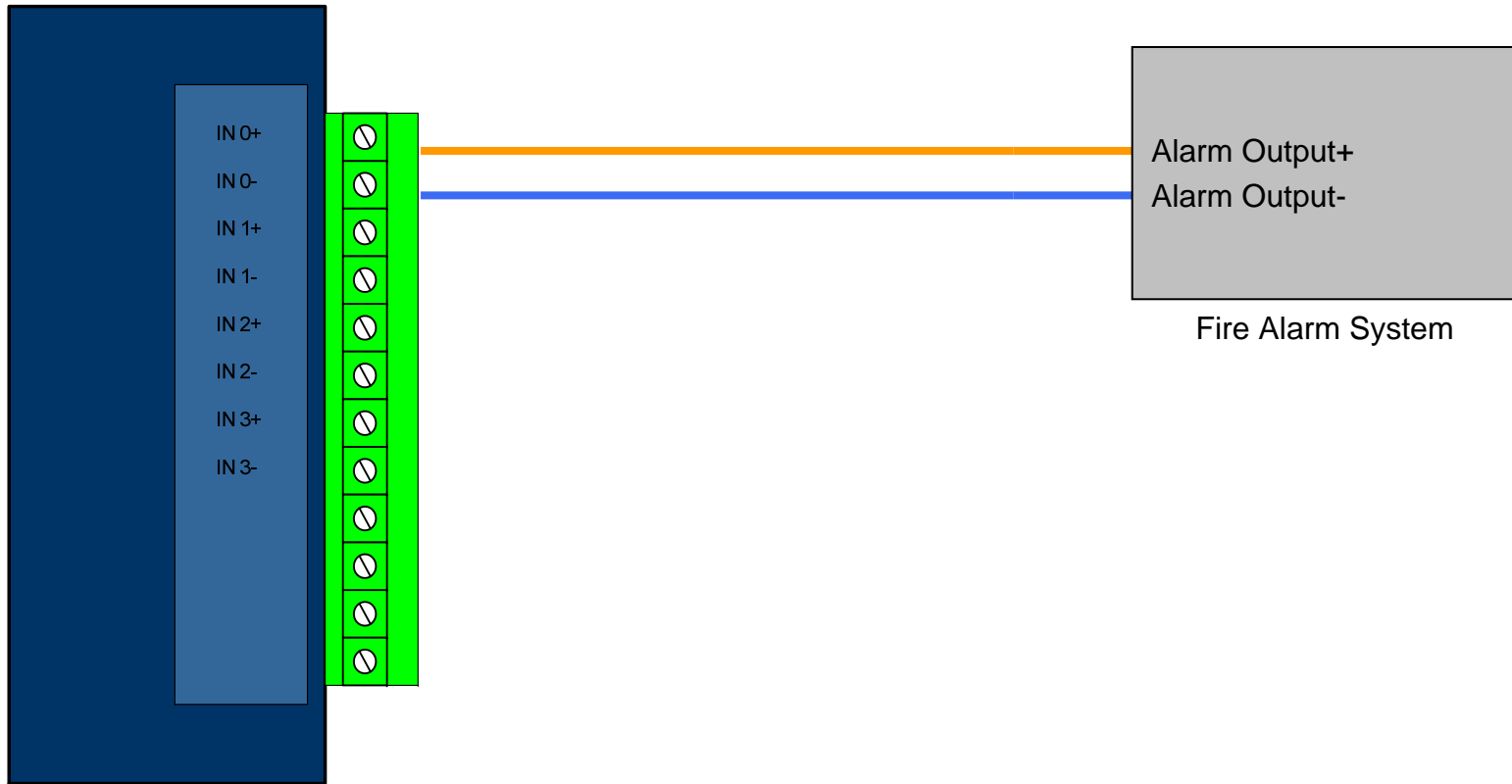


- When using dead bolt or door strike, connect an enclosed diode as in the above diagram. Anode (line mark) of the diode should be connected to + power (Be careful of the direction)

RTE Switch Connection



Fire Alarm Connection



System Specifications

- **CPU : 8bit, 16MHz Microcontroller**
- **Memory : 32Kbyte Flash**
- **Display : 10ea Status LED**
- **IO : Input X 4Ch, Output X 2Ch, RS-485 X 1Ch**
- **Product size : 142.5 x 110 x 39 mm (width x length x depth)**

	Min.	Typ.	Max.	Notes
Power				
Voltage (V)	10.8	12	13.2	
Current (mA)	-	500	800	
Relay				
Normal switching capacity(N.O) (Resistive)	-	5A 2A 3A		125VAC 250VAC 30VDC
Normal switching capacity(N.C) (Resistive)	-	2A 1A 1A		125VAC 250VAC 30VDC



Suprema Inc.
16F Parkview Office Tower, Jeongja-dong, Bundang-gu,
Seongnam, Gyeonggi, 463-863 Korea
E-mail : support@supremainc.com
Website : www.supremainc.com

Functions and specifications of the product are subject to changes without notice due to quality enhancement or function update. For any inquiry on the product, please contact **Suprema Inc.**